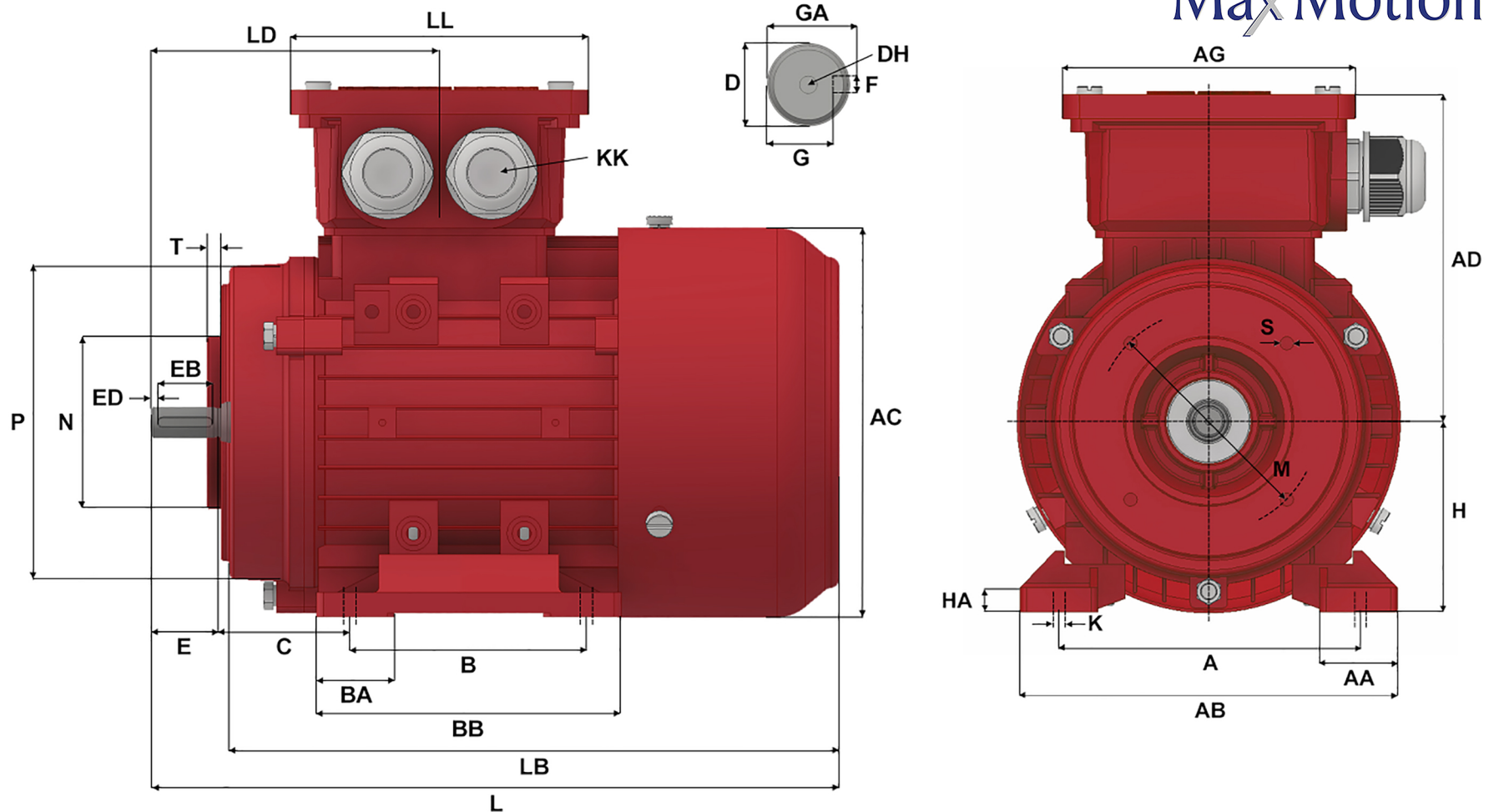


# MaxMotion



Version: 1JLEM		Revised: 14-02-2023		HP	RPM	FRAME	ENCLOSURE	IJA2801-4-B34A								
Customer is responsible in determining that Max Motion product will fit/perform suitably in the intended application								0.75	1800	80	TEFC					
A	B	C	D	E	F	G	H	K	L	M	N	P				
125	100	50	19	40	6	15,5	80	10 X 14	285	100	80	120				
S	T	AA	AB	AC	AD	AG	BA	BB	DH	EB	ED	GA				
M6	3	35	157	152	125	101	32.5	125	M6 X 16	30	5	21,5				
HA	KK (1)	KK (2)	KK (3)	LB	LD	LL										
9	M20 X 1.5	1/2" NPT	-	245	118	101										